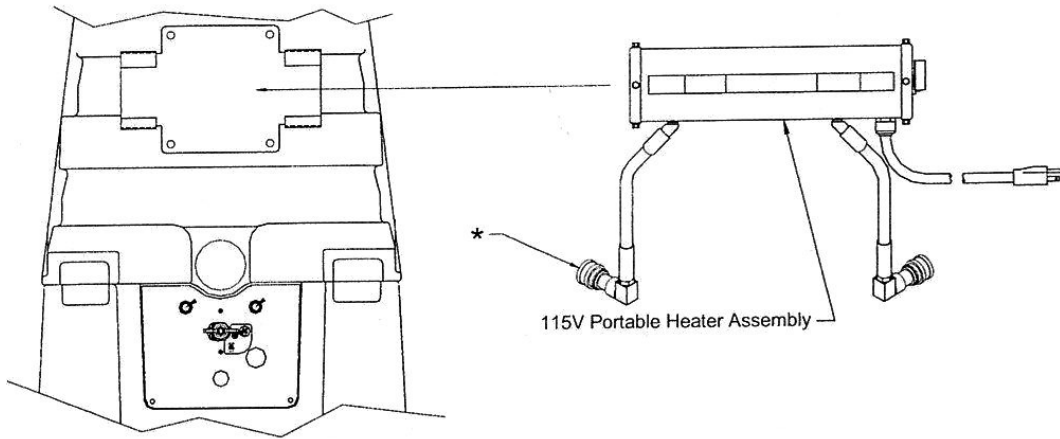


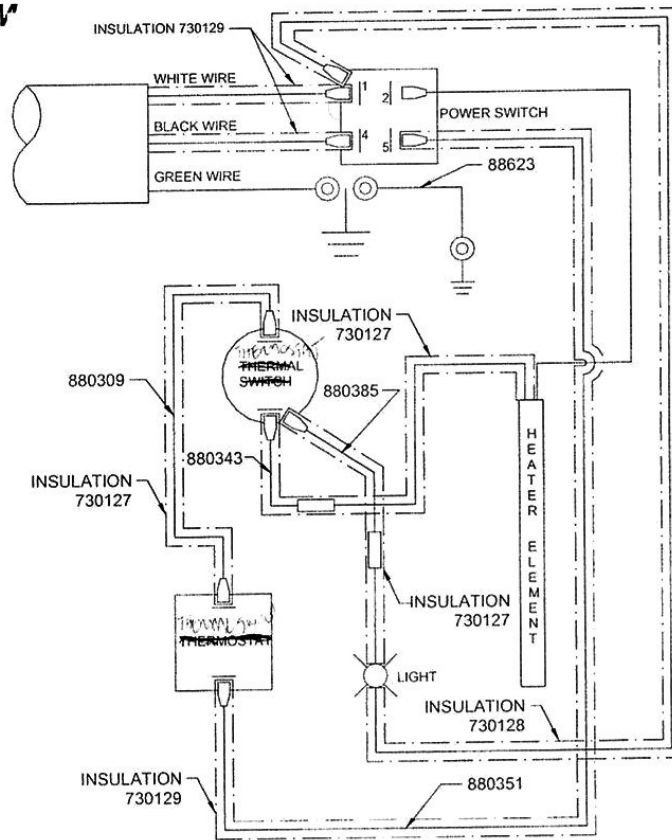
OLD STYLE

INSTALLATION



* For safety reasons this fitting is designed to leak when not connected to machine.

WIRING DIAGRAM



OLD STYLE

HEATER ASSY PARTS & PARTS LIST

REF	PART NO.	QTY	DESCRIPTION	SERIAL NO. FROM	NOTES:
1	51041	1	LIGHT, 115V NEON INDICATOR		
2	41416	1	HOUSING, SWITCH END CAP		
3	22046	1	CLIP, NEON LAMP		
4	78478	1	THERMOSTAT HEATER ADJUSTABLE		
5	54180	1	MANIFOLD, HEATER WELDMENT		
6	70351	11	SCR, 10-32 X 3/8 HHTR W/ STAR		
7	OPEN	-			
8	42084	1	INSULATION, HEATER		
9	72174	1	SWITCH, THERMAL RESETABLE		
10	70739	2	SCR, #8 X 3/16 DRIVE TYPE U		
11	57104	1	NUT, 10-32 W/STAR WASHER PLTD		
12	57040	1	NUT, 1/2 NPT CONDUIT		
13	88623	1	WIRE, 4" GRN/14 76010 X 76010		
14	41421	1	HOUSING, ASM		
15	48-941396	1	LABEL, HEATER WARNING PROCHEM		
16	41417	1	HOUSING, OUTLET END CAP		
17	50776	1	LABEL, FOR SAFETY		
18	31021	2	ELBOW, 1/4 NPT 45° STREET		
19	39600	2	HOSE, HP 17.0 1/4 MPT X 1/4 MPT		
20	030-16	2	ELBOW, 1/4 NPT STREET LONG 90°		
21	22015	1	COUPLER, 1/4 QD		
22	22094	1	COUPLER, 1/4 QD NON-SEALING		
23	060-04	1	CORD ASM, 12/SJT X 25' BK		
24	73505	1	STRAIN RELIEF, 1/2 NPT TRUMPET		
25	130-14	1	HEATER ELEMENT, 110V		
26	48-941460	1	LABEL, TEMP INDICATOR ARROW		
27	32-900195	1	SWITCH, DPST LIGHTED ROCKER		
28	70719	2	SCR, M4 X 8MM LG PPHMS		
29	48086	1	KNOB, THERMOSTAT, HEATER		
30	48-941432	1	LABEL, HEATER BRIDGEPOINT		

